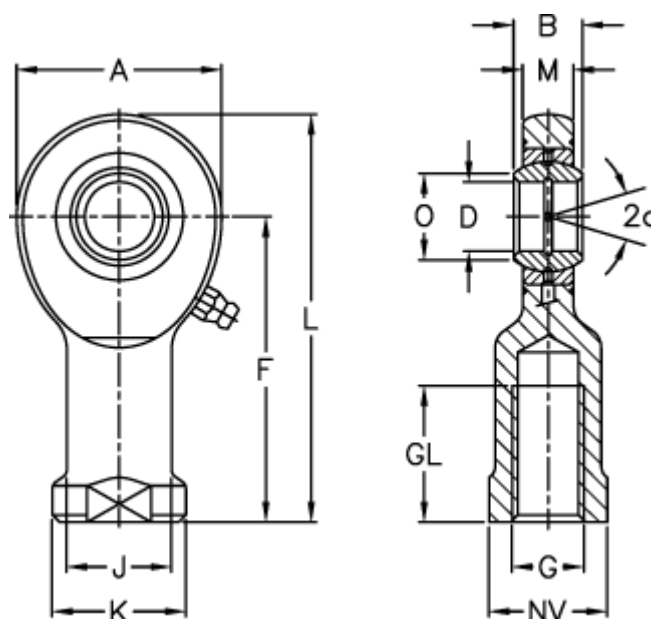


Article number: 03481025
 Description: Fluro Rod end EIL 25-2RS
 Note: 25

Measures



A	= 64	J	= 33.5
a (degrees)	= 7	K	= 42
B	= 20	L	= 126
D	= 25	M	= 17
Dynamic drive (kN)	= 48	NV	= 36
F	= 94	O	= 29.3
g	= M24x2	Static drive kN	= 92
GL	= 48	Weight	= 640